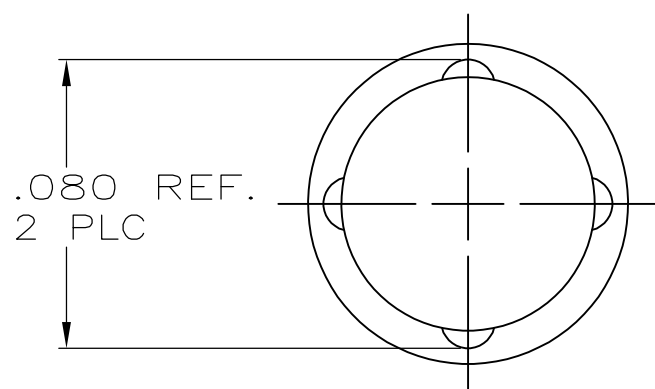
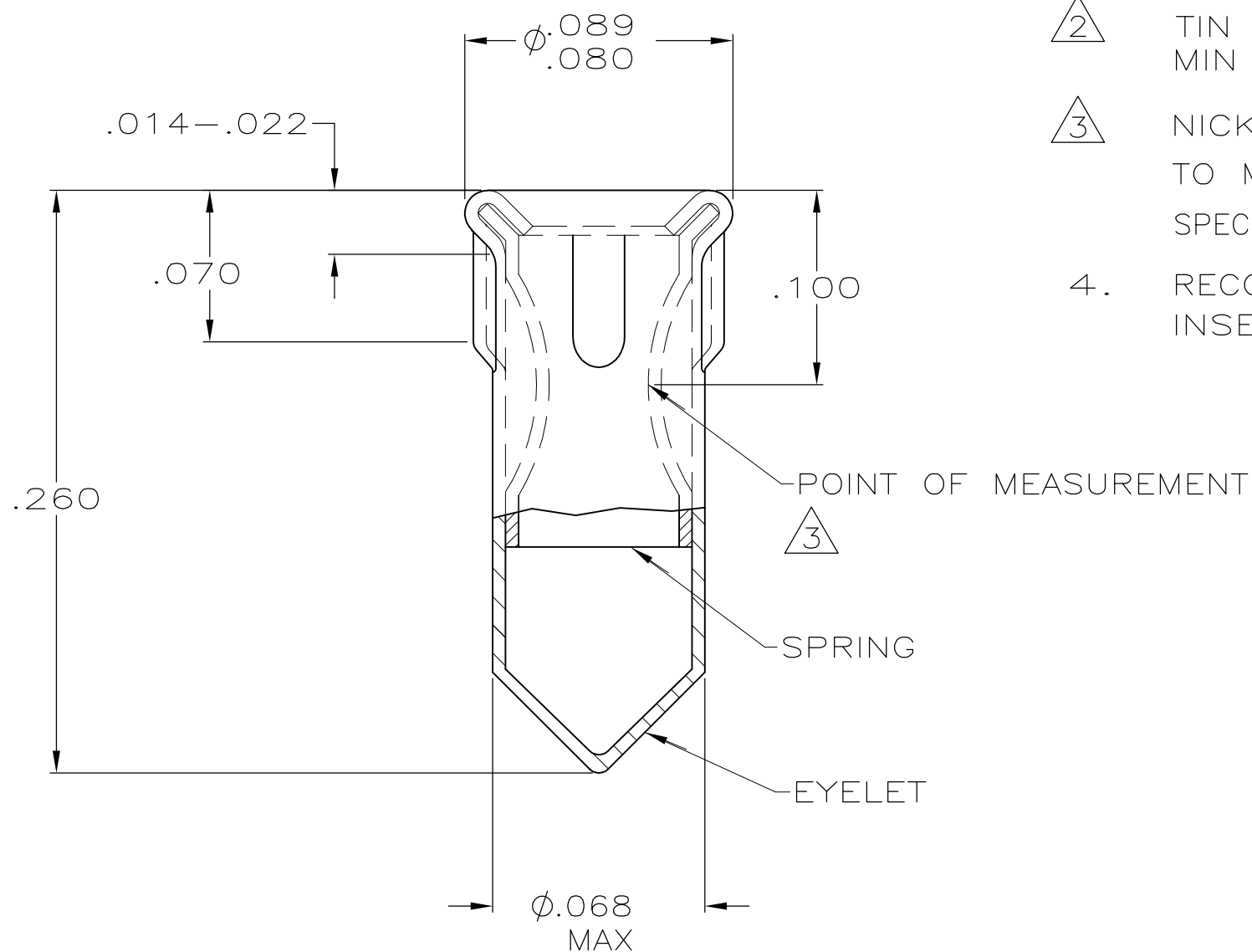


THIS DRAWING IS UNPUBLISHED. RELEASED FOR PUBLICATION
 © COPYRIGHT BY TYCO ELECTRONICS CORPORATION. ALL RIGHTS RESERVED.

LOC	DIST	REVISIONS					
AG	53	P	LTR	DESCRIPTION	DATE	DWN	APVD
			B	REV PER ECO-09-026264	09MAR2010	HMR	DB

- 1 MATERIAL: EYELET-COPPER PER ASTM B 152
 SPRING-BERYLLIUM COPPER
 PER ASTM B 194
- 2 TIN PLATE PER ASTM B 545 .000100
 MIN THICK.
- 3 NICKEL UNDERPLATE ALL OVER, MATING SURFACE PLATED
 TO MEET PERFORMANCE REQUIREMENTS OF TYCO PRODUCT
 SPECIFICATION 108-14008.
- 4. RECOMMENDED HOLE SIZE FOR MACHINE
 INSERTION .069-.075.



.037-.041	.100-.210	2	2	5645500-2
		3		5645500-1
DIA	LENGTH	SPRING	EYELET	PART NUMBER
PIN		FINISH		

THIS DRAWING IS A CONTROLLED DOCUMENT.		DWN	20APR2005		Tyco Electronics Corporation Harrisburg, PA 17105-3608
		G. ATTADIA - DOCK5	20APR2005		
DIMENSIONS: INCHES		CHK	20APR2005		NAME SOCKET, MSS, SERIES 4
		J. HAVENER	20APR2005		
		J. HAVENER	20APR2005		
TOLERANCES UNLESS OTHERWISE SPECIFIED:		APVD	20APR2005		SIZE A3
		J. HAVENER	20APR2005		
0 PLC ± -		PRODUCT SPEC	NAME		CAGE CODE 00779
1 PLC ± -		APPLICATION SPEC	DRAWING NO		
2 PLC ± -			C-5645500		RESTRICTED TO -
3 PLC ± .010					
4 PLC ± -					SCALE NTS
ANGLES ± -					
MATERIAL		WEIGHT	-		SHEET 1 OF 1
FINISH					
1			SEE TABLE		REV B
CUSTOMER DRAWING					